

Sultrade - Operations Dept

De: Foyle Chen(Material Management Dept) <foyle@mail.uming.com.tw>
Enviado em: sexta-feira, 27 de março de 2026 05:54
Para: Erik Hummelsund; Amy Tu; Øystein Bjørge; Femag Taiwan-Irene Chiou; Femag Taiwan-Kelly; Sultrade - Operations Dept
Cc: 廈門-鄭銀樹; 廈門-鄭友杰,yjzheng; 廈門-王太平; 廈門-賴大星dxLai
Assunto: RE: SV: Svar: Svar: RE: Sperre Air Power AS - Sales Quote Q303920 - UBUNTU INTEGRITY - C227/Compressor Quote
Anexos: D000000653_02_Compressor, X-Range, XW300 - Version 07 (1).pdf; 51320 Sales - Quote Q303920 (2).pdf

Dear Erik and Amy

Duly noted your message and we are confirmed this order for your good company

Please kindly provide the cargo dimensions and weight, shipping address, and relevant export documentation, so that we can proceed with the transportation arrangement

Dear Irene

This is an urgent case.

We are currently awaiting further details from Sperre Air Power. Once the required information is provided, we are planning to arrange shipment to Brazil.

The vessel schedule is as follows:

ETB Porto Açu, Brazil: 01-Apr-2026
ETD: 03-Apr-2026

Upon receipt of the cargo details, please kindly confirm the earliest possible delivery time to Brazil, so that we can assess feasibility.

Dear Mr. Bruno Peres,

We are arranging an urgent shipment to Porto Açu, and the local agent details are as follows:

Philippe Manhaes
LBH Brasil – Porto Açu
Avenida Pelinca 55, Sala 801, Ed. Blue Tower
28035-053 Campos dos Goytacazes, Brazil
Email: lbhacu@lbhbrasil.com.br

Tel: +55 22 99215 9546

In addition, please kindly advise:

The estimated customs clearance time in Brazil

The nearest international airport to Porto Açu, for our forwarder to arrange shipment accordingly

Your prompt support would be highly appreciated

Thanks

Best Regards
Foyle Chen
U-MING M&M Dept.
TEL:-886-2-7752-6140

From: Erik Hummelsund erik.hummelsund@sperre.com
Sent: Friday, March 27, 2026 4:40 PM
To: Foyle Chen(Material Management Dept) <foyle@mail.uming.com.tw>; Amy Tu <amy@csg.com.tw>; Øystein Bjørge <oystein.bjorge@sperre.com>
Cc: 廈門-鄭銀樹 <yszheng@uming.net.cn>; 廈門-鄭友杰 yjzheng <yjzheng@uming.net.cn>; 廈門-王太平 <tpwang@uming.net.cn>; 廈門-賴大星 dxLai <dxLai@uming.net.cn>
Subject: SV: SV: Svar: Svar: RE: Sperre Air Power AS - Sales Quote Q303920 - UBUNTU INTEGRITY - C227/Compressor Quote

You don't often get email from erik.hummelsund@sperre.com. [Learn why this is important](#)

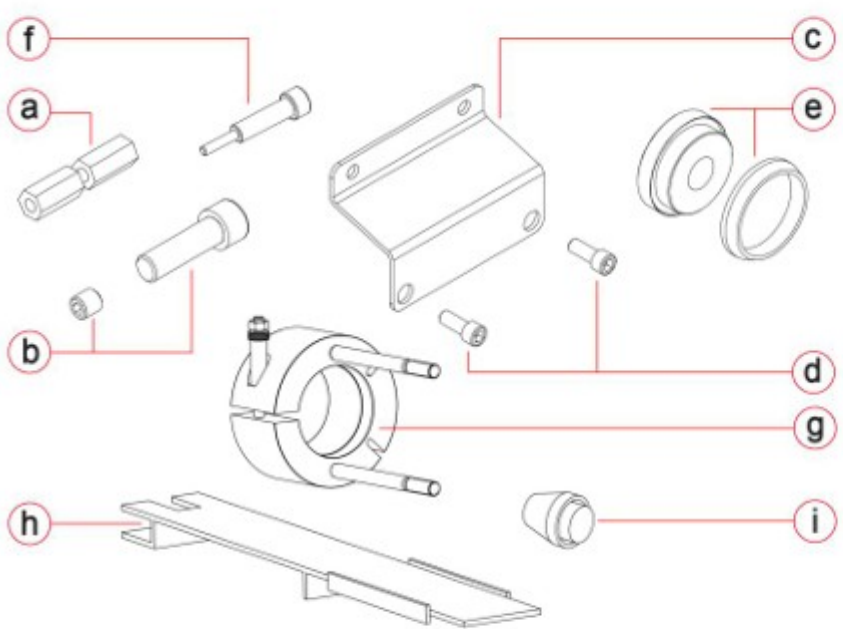
Dear Mr Chen.

Regarding your questions I have the following feedback:

- No special tools are needed, but we have a toolbox for this compressor with some tools that are very helpful for the crew. I have included such toolbox FOC in our revised offer.

Kit name	Ordering number	Description
Sperre complete toolbox XAW200-300	55048	

Letter	Component	
a	Dismantling tool -crankshaft	
b	Dismantling screw coupling	
c	Mounting/ dismantling bracket crankshaft	
d	Fasteners mounting/dismantling bracket crankshaft	
e	Mounting tool for seal ring	
f	Dismantling screw fan	
g	Crank bearing thermal removing tool	6+
h	Crankshaft guide plate tool	
i	Main bearing guide cone tool	



- For a normally skilled mechanical engineer it should not be a problem to do this repair. Follow the attached updated manual and if the crew have any questions they can contact our technical team at +47 70161100 or support@sperre.com.

Looking forward for your feedback.

Best regards

Erik Hummelsund

Vice President Aftersales
Sperre Air Power AS

Tel: +47 70161128
Mob: +47 95976411
E-mail: eh@sperre.com
www.sperre.com



We have screw compressors in stock, ready for immediate dispatch!

Warehouse locations in Rotterdam, Shanghai and Norway.

Inquiry to sales@sperre.com – quote within a day!

Fra: Foyle Chen(Material Management Dept) <foyle@mail.uming.com.tw>

Sendt: fredag 27. mars 2026 08:55

Til: Amy Tu <amy@csg.com.tw>; Erik Hummelsund <erik.hummelsund@sperre.com>; Aftersales <aftersales@sperre.com>; Øystein Bjørge <oystein.bjorge@sperre.com>

Kopi: 廈門-鄭銀樹 <yszhen@uming.net.cn>; 廈門-鄭友杰 yjzheng <yjzheng@uming.net.cn>; 廈門-王太平 <tpwang@uming.net.cn>; 廈門-賴大星 dxLai <dxLai@uming.net.cn>

Emne: RE: SV: Svar: Svar: RE: Sperre Air Power AS - Sales Quote Q303920 - UBUNTU INTEGRITY - C227/Compressor Quote

Dear Erik

We have received your quotation and noted that the spare parts are available

Thank you for your support

Further to this, we would like to seek your professional advice. Due to the recent incident involving the air compressor, it appears that most components may need to be replaced

We are concerned whether the vessel's crew would be capable of carrying out the full installation using the supplied spare parts. In particular, we would like to understand:

- Whether any special tools are required for the installation, which may not be available onboard
- Whether the replacement work can be reasonably completed by the crew, or if it would require maker's service support
- If possible, kindly provide preliminary guidance or installation instructions for reference

This information is important for us to decide whether we should:

1. Wait for delivery of a complete air compressor unit, or
2. Proceed with urgent procurement of spare parts to restore the equipment as soon as possible

Your professional advice would be highly appreciated

Thank you for your support

Best Regards
Foyle Chen
U-MING M&M Dept.
TEL:-886-2-7752-6140

From: Amy Tu <amy@csg.com.tw>
Sent: Friday, March 27, 2026 3:44 PM
To: Foyle Chen(Material Management Dept) <foyle@mail.uming.com.tw>
Cc: 廈門-鄭銀樹 <yszhenng@uming.net.cn>; 廈門-鄭友杰 yjzheng <yjzheng@uming.net.cn>
Subject: 轉寄: SV: Svar: Svar: RE: Sperre Air Power AS - Sales Quote Q303920 - UBUNTU INTEGRITY - C227/Compressor Quote

陳先生您好，

1. 原廠基於與 貴司長期友好關係，經再爭取，提供特別優惠價。如附件供您參考。
2. 原廠回覆店文如下，供您參考。

B.RGDS.
C.S.G.(Taiwan) Ltd.飛旭貿易有限公司
Amy Tu 杜美靜
14F,No. 949 Chiu-Ju 4th Rd., 804
Kaohsiung, Taiwan, R.O.C.
高雄市鼓山區九如四路949號14F
Tel : 886-7-533-5648//0512
Fax: 886-7-533-5649
E-mail: amy@csg.com.tw

=====

----- 原始郵件 -----

寄件者: Erik Hummelsund <erik.hummelsund@sperre.com>

日期: 2026年 3 月 27日, 星期五, 下午3:31

主旨: SV: Svar: Svar: RE: Sperre Air Power AS - Sales Quote Q303920 - UBUNTU INTEGRITY - C227/Compressor Quote

收件者: Amy Tu <amy@csg.com.tw>

副本: Aftersales <aftersales@sperre.com>, Øystein Bjørge <oystein.bjorge@sperre.com>

>

>

> Dear Amy.

>

> Please find enclosed our revised offer with a special good will discount due to our long relationship with Uming.

>

> The spares are in stock and if we receive the order swiftly, we can have it ready for shipment today or Monday at the latest.

>

> Best regards

>

> **Erik Hummelsund**

> Vice President Aftersales

> **Sperre Air Power AS**

>

> Tel: +47 70161128

> Mob: +47 95976411

> E-mail: eh@sperre.com

> www.sperre.com



>

>

> **We have screw compressors in stock, ready for immediate dispatch!**

> **Warehouse locations in Rotterdam, Shanghai and Norway.**

> Inquiry to sales@sperre.com – quote within a day!

>

>>>

>>>

>>> ----- 原始郵件 -----

>>> 寄件者: "Foyle Chen(Material Management Dept)" <foyle@mail.uming.com.tw>

>>> 日期: 2026年 3 月 27日, 星期五, 下午1:20

>>> 主旨: RE: Sperre Air Power AS - Sales Quote Q303920 - UBUNTU INTEGRITY - C227

>>> 收件者: Amy Tu <amy@csg.com.tw>, aftersales <aftersales@sperre.com>

>>> 副本: aftersales <aftersales@sperre.com>, 廈門-鄭銀樹 <yszhen@uming.net.cn>, 廈門-鄭友杰
yjzheng <yjzheng@uming.net.cn>

>>>

>>>

>>>

>>>>

>>>

>

>

> Dear Sir

>

> please advise the earliest delivery time of a complete

>

> that we can evaluate whether it can meet our vessel schedule

>

> thanks

>

> Best Regards

> Foyle Chen

> U-MING M&M Dept.

> TEL:-886-2-7752-6140

>

>

>

>>>> **From:** Amy Tu <amy@csg.com.tw>
>>>> **Sent:** Friday, March 27, 2026 11:44 AM
>>>> **To:** aftersales <aftersales@sperre.com>
>>>> **Cc:** aftersales <aftersales@sperre.com>; 廈門-鄭銀樹 <yszheng@uming.net.cn>; 廈門-鄭友杰yjzheng <yjzheng@uming.net.cn>; Foyle Chen(Material Management Dept) <foyle@mail.uming.com.tw>
>>>> **Subject:** Sperre Air Power AS - Sales Quote Q303920 - UBUNTU INTEGRITY - C227

>

>>

>>

>

>>

>>>

>>>

>>>>

>>>> *** URGENT ***

>>>> Dear Sir,

>>>>

>>>>

>>>> Please also provide a complete quote for the air compressor for the owner's reference.

>>>>

>>>> B.RGDS.

>>>> C.S.G.(Taiwan) Ltd.飛旭貿易有限公司

>>>> Amy Tu 杜美靜

>>>> 14F,No. 949 Chiu-Ju 4th Rd., 804

>>>> Kaohsiung, Taiwan, R.O.C.

>>>> 高雄市鼓山區九如四路949號14F

>>>> Tel : 886-7-533-5648//0512

>>>> Fax: 886-7-533-5649

>>>> E-mail: amy@csg.com.tw

>>>> =====

>>>>

>>>>

>>>>

>>>> ----- 原始郵件 -----

>>>> 寄件者: Amy Tu <amy@csg.com.tw>

>>>> 日期: 2026年 3 月 27日, 星期五, 上午10:47

>>>> 主旨: 轉寄: Sperre Air Power AS - Sales Quote Q303920 - UBUNTU INTEGRITY - C227

>>>> 收件者: aftersales <aftersales@sperre.com>

>>>> 副本: 'yszheng' <yszheng@uming.net.cn>, '廈門-鄭友杰yjheng' <yjheng@uming.net.cn>

>>>>

>>>>

>>>>> *** TOP URGENT ***

>>>>

>>>>

>>>>

>>>>> Dear Sir/Madam:

>>>>

>>>>

>>>>> The owner has informed us of an urgent situation and would like to know the following:

>>>>

>>>>

>>>>> 1. Please provide the best discount.

>>>>

>>>>

>>>>> 2. The vessel will arrive in Brazil on April 1st and depart on April 3rd. Please help confirm whether the goods can be delivered to Brazil on or before April 3rd, 2026, if the owner places an order today.

>>>>

>>>>

>>>>> 3. Please inform us of the freight costs.

>>>>

>>>>

>>>>> 4. The delivery address is as follows:

>>>>> =====

>>>>

>>>>> Philippe Manhaes

>>>>> LBH Brasil - Porto Açu Avenida Pelinca 55, Sala 801 Ed. Blue Tower 28035-053 Campos dos Goytacazes Brazil

>>>>> Email: lbhacu@lbhbrasil.com.br

>>>>> Tel: +55 22 992159546

>>>>> =====

>>>>

>>>>

>>>>

>>>>

>>>>

>>>>

>>>>

>>>>>

>>>> B.RGDS.

>>>>> C.S.G.(Taiwan) Ltd.飛旭貿易有限公司

>>>>> Amy Tu 杜美靜

>>>>> 14F,No. 949 Chiu-Ju 4th Rd., 804

>>>> Kaohsiung, Taiwan, R.O.C.
>>>> 高雄市鼓山區九如四路949號14F
>>>> Tel : 886-7-533-5648//0512
>>>> Fax: 886-7-533-5649
>>>> E-mail: amy@csg.com.tw
>>>> =====

>>>>
>>>>
>>>>

>>>>> ----- 原始郵件 -----
>>>>> 寄件者: Aftersales <aftersales@sperre.com>
>>>>> 日期: 2026年 3 月 26日, 星期四, 下午7:28
>>>>> 主旨: Sperre Air Power AS - Sales Quote Q303920 - UBUNTU INTEGRITY - C227
>>>>> 收件者: Amy Tu <amy@csg.com.tw>
>>>>> 副本: Amy Tu <amy@csg.com.tw>

>>>>>

>>>
>>>>

>>

>
>>

>>>>>

> Dear Sir/ Madam
>>>>>
>>>>> Thank you for your inquiry. Please find enclosed our offer.
>>>>>
>>>>> Sperre Air Power AS are sending invoices and other order-related documents by email.
>>>>>
>>>>> To facilitate this, we need to know your company's official invoice receival email address. If you do not have such an address, we ask for the email address of your finance / accounting department.
>>>>>
>>>>> For further questions please do not hesitate to contact us.
>>>>>
>>>>>
>>>>> Best regards,
>>>>>
> Sperre After Sales team
>
> Sperre Air Power AS
>>>>> Ellingsøyvegen 740

>>>>> N-6057 Ellingsøy
>>>>>
>>>>> Tel: +47 70 16 11 00
>>>>> Fax: +47 70 16 11 10
>>>>> aftersales@sperre.com
>>>>> <http://www.sperre.com>

>>>>>
>>>>>

>>>>> NOTE: Classification certificate for Sperre compressors are only valid when genuine Sperre parts are used for maintenance. All equipment and parts, quoted and delivered, are genuine Sperre parts

>

>

>>>>>

>>>>

>

>>

>>

>

>>

>

>>

>

>